

## UNIKA 400 VINTAGE SOUS PLAN



Kitchen Sinks

Code: N156 S80

UNIKA R15 BOWL 400x400 SOUSPLAN VINTAGE



### DETAILS

Edge/Installation Type	Undermount
Material	AISI 304 stainless steel
Texture	Vintage
Base	60 cm
Dimensions	440x440 mm
Standard fittings	Fixing hooks, gasket, drain, overflow and siphon, boxed packing
Mixer holes	No standard holes
Built-in hole	View technical data sheet
Drainer	No

Width 44 cm

---

Bowl dimension 400 x 400 mm

---

Number of bowls 1 bowl

---

Waste fitting 3,5" drain

---

## FEATURES

**VINTAGE** The Vintage finish gives the product a long-lived and elegant look, creating a surface that does not fear scratches.

---

**Perimetral overflow** The overflow is always a security on the Foster sinks that prevents the overflow of water in case of oversights. The perimeter drain solution improves aesthetics thanks to its square and essential shape.

---

**Basket 3,5" waste fitting** The drain is equipped with a large 3.5" drain, with the practical basket cap that prevents the discharge of solid parts.

---

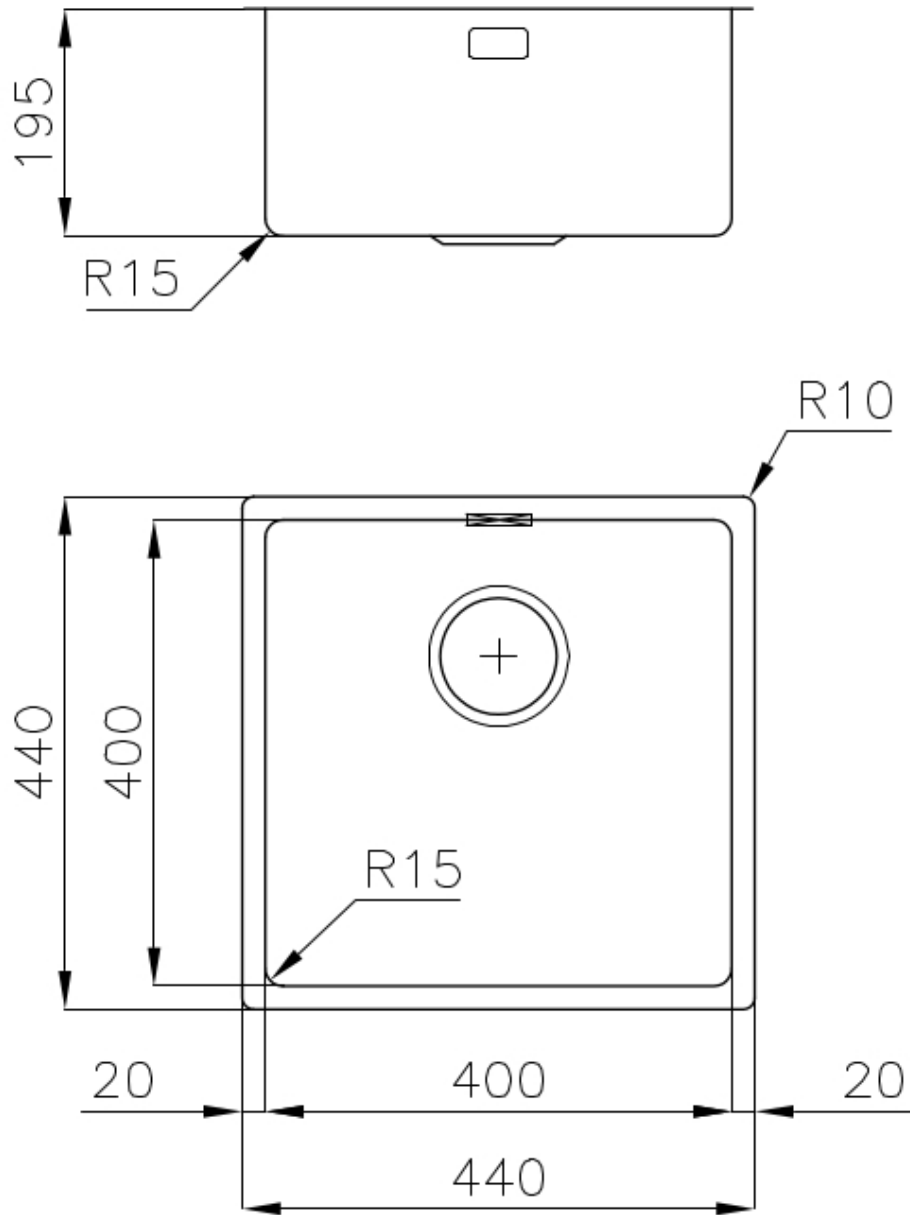
**High thickness** 1mm thick steel. A significant thickness, which guarantees the maximum sturdiness and durability.

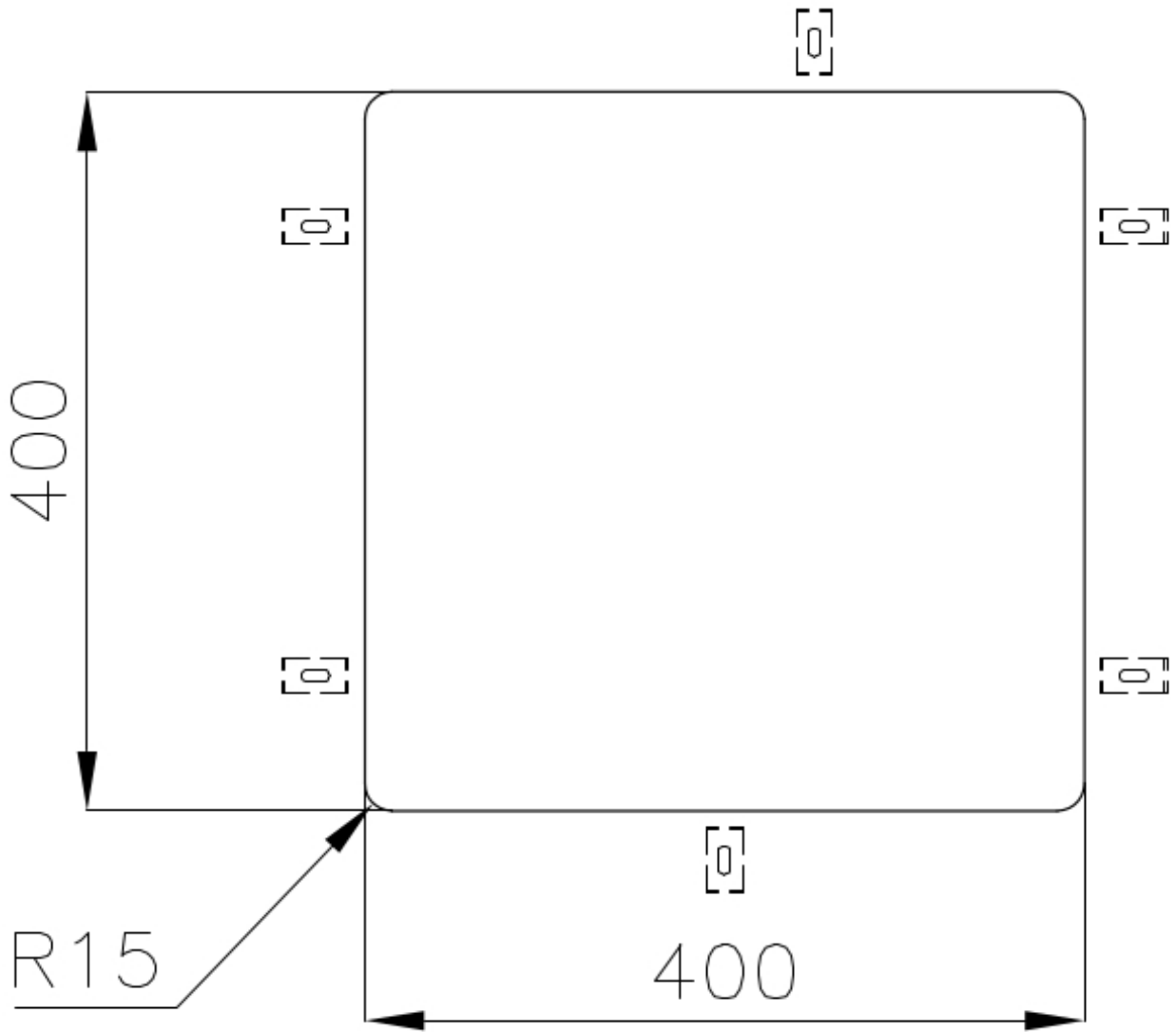
---

**Small radius** Bowls with squared shapes with a modern design and an increased capacity, for a minimal aesthetics connected with an extreme practicality.

---

## TECHNICAL DATA





Cut out size  
Dimensioni per foratura top

## GALLERY



## OPTIONAL ACCESSORIES



**CUVETTE PERFOREE INOX**

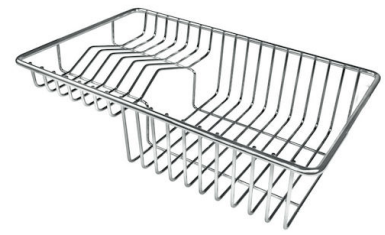
A154 F00

\* only in combination with the accessory  
A644 F04



**CUVETTE PLASTIQUE BLANCHE**

A153 A00



**GRILLE POR.ASSIETTES INOX  
mm214x379**

A100 C03

\* only in combination with the accessory  
A644 A01



**GRILLE PORTE-ASSIETTES INOX  
25x35**

A100 A54

\* only in combination with the accessory  
A644 F04



**PLANCHE DE DECOUPE CRYSTAL  
23x41 CM**

A631 C00



**PLANCHE DE DECOUPE DOUBLE  
HDPE**

A644 A01



**PLANCHE DE DECOUPE DOUBLE  
IROKO**

A644 F04



**PLANCHE DE DECOUPE HDPE  
27x42 CM**

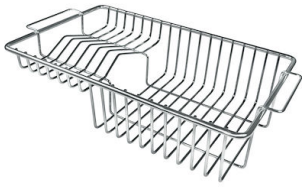
A657 F01



**CUVETTE INOX PERFOREE**

A151 F00

\* only in combination with the accessory  
A644 A01



**GRILLE PORTE-ASSIETTES INOX**  
**250x425**  
A100 B01



**KIT RÂPES ET PLANCHE DE**  
**DECOUPE HDPE**  
A159 A01  
\* only in combination with the accessory  
A644 A01

## OPTIONAL AUTOMATIC WASTE FITTINGS



**VIDAGE FADE LIGHT**  
A407 A17



**VIDAGE FADE PUSH INOX**  
A407 A16